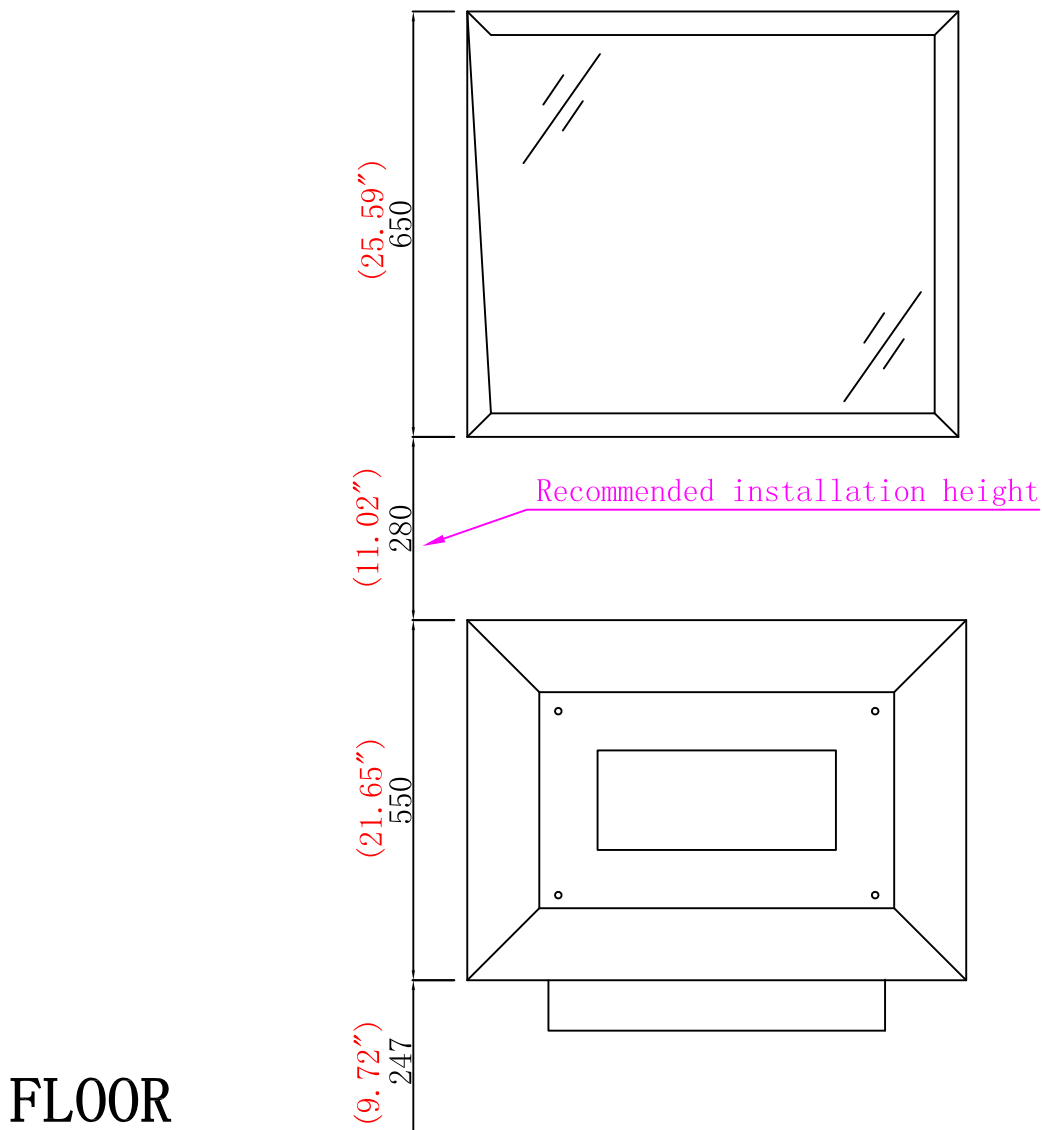




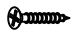



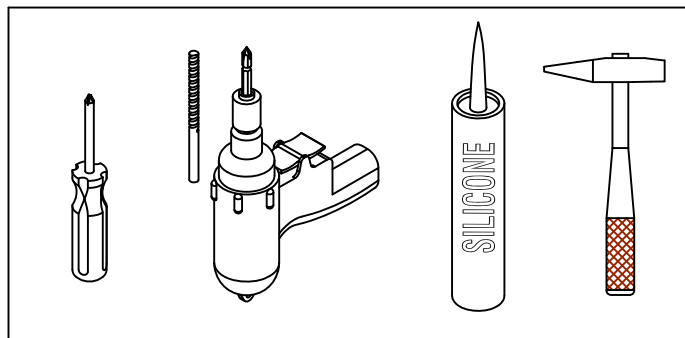
Item No. :MX30



## Hardware

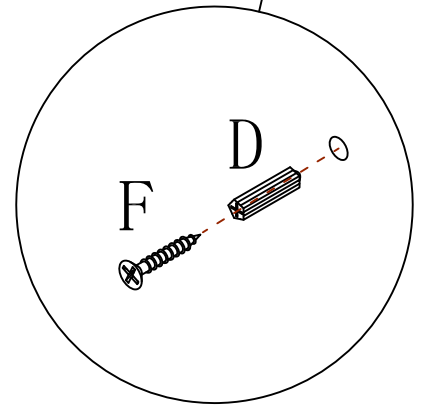
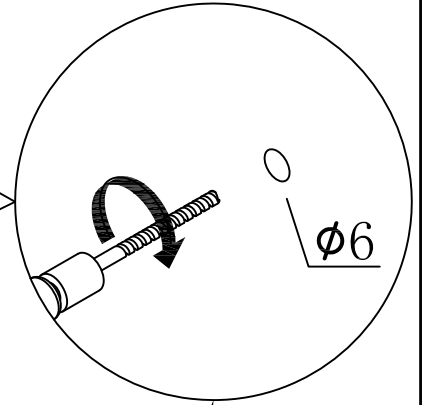
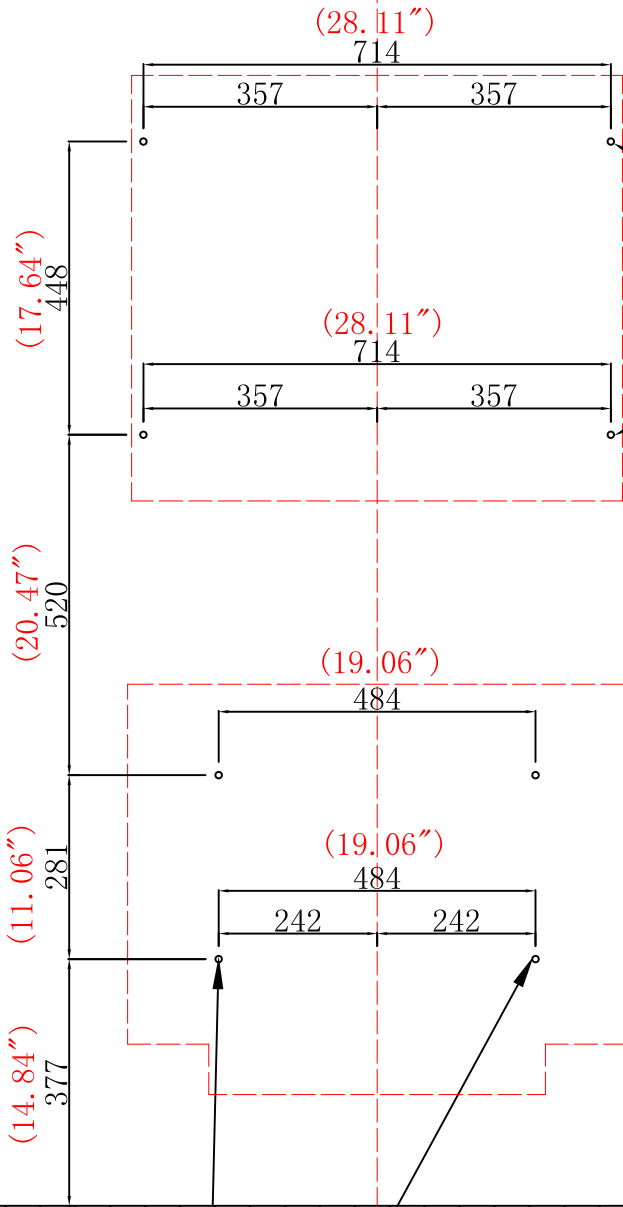
NO.	Draw	QTY
A		4
B		4
C		4
D		4
F	 (3.5*60)	4
G	 (3.5*14)	8

## Tools

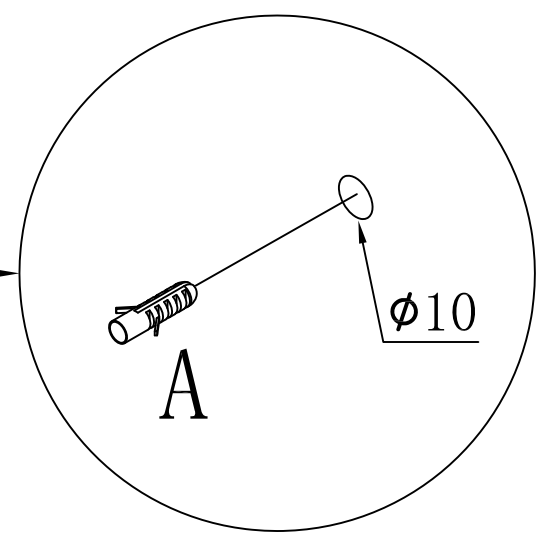
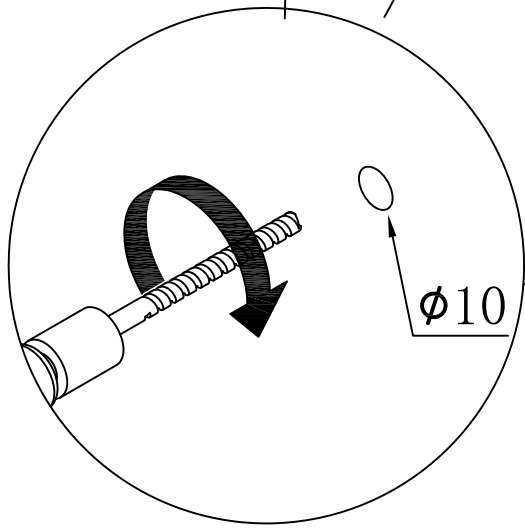


# Step 1

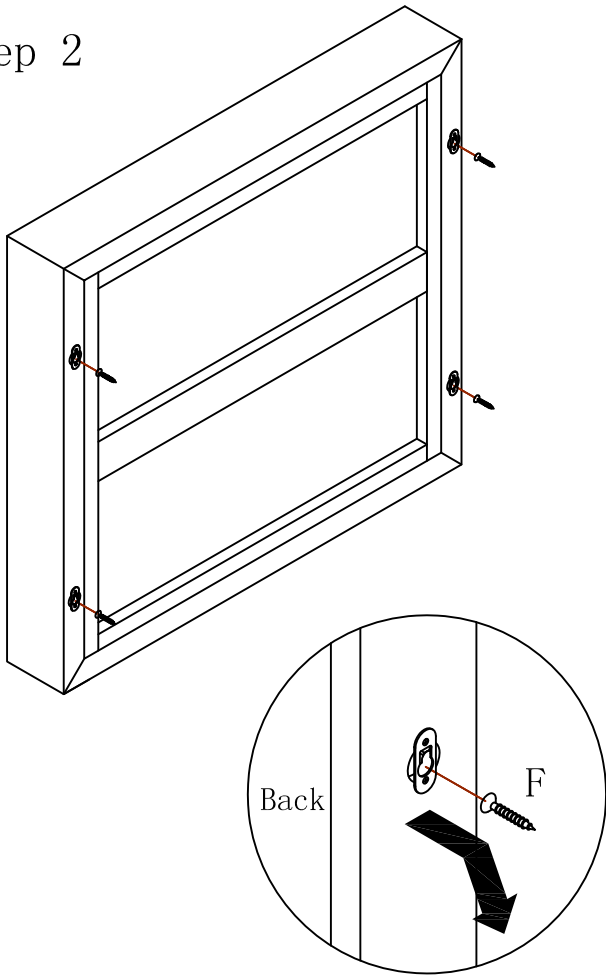
WALL



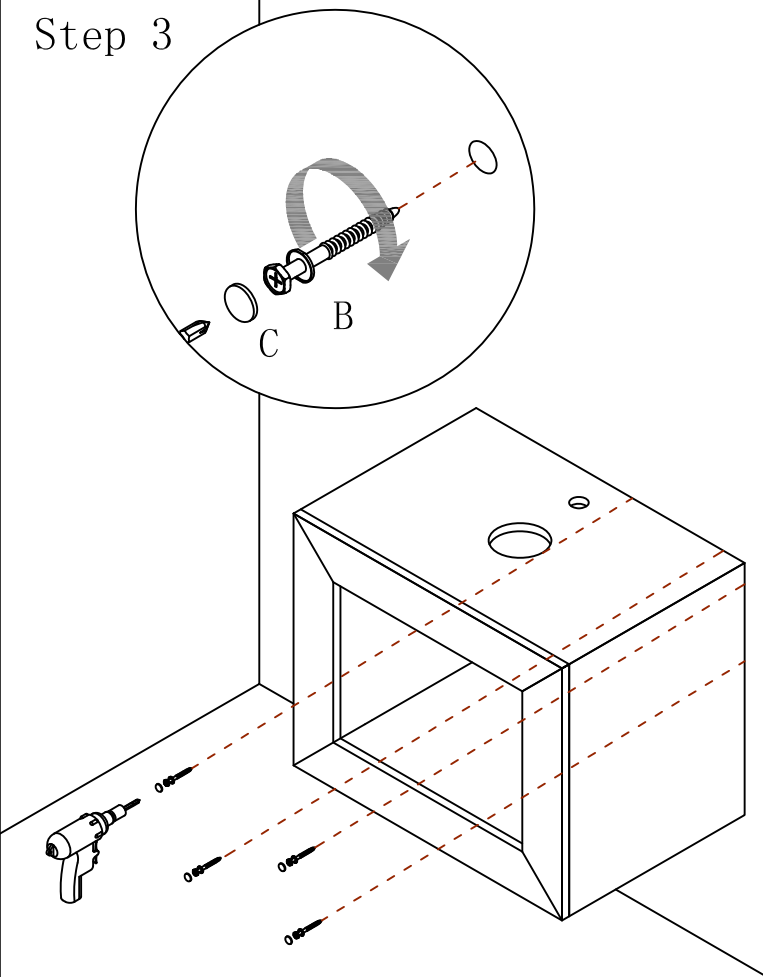
FLOOR



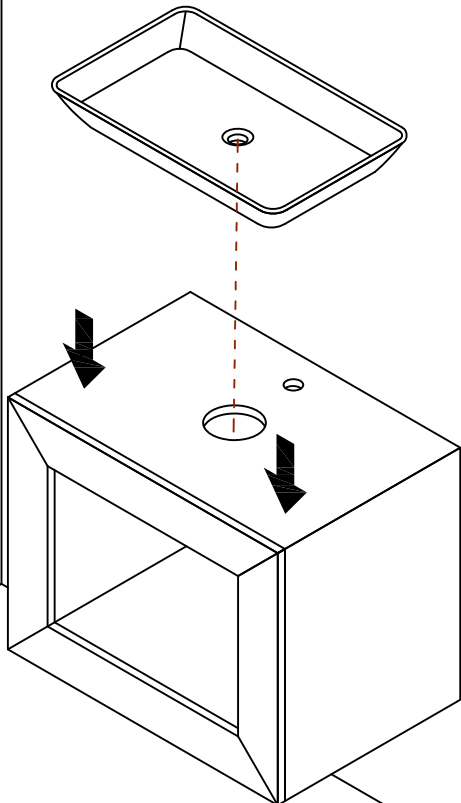
Step 2



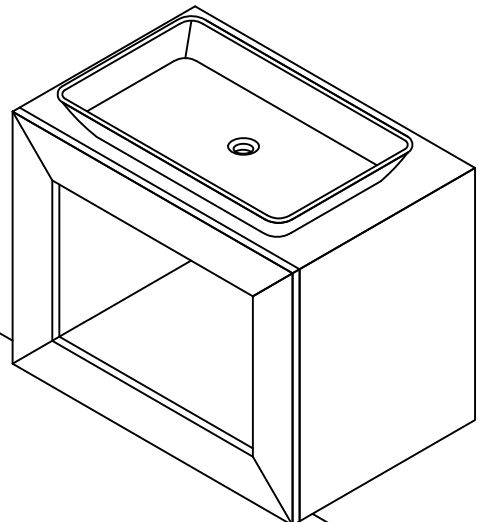
Step 3



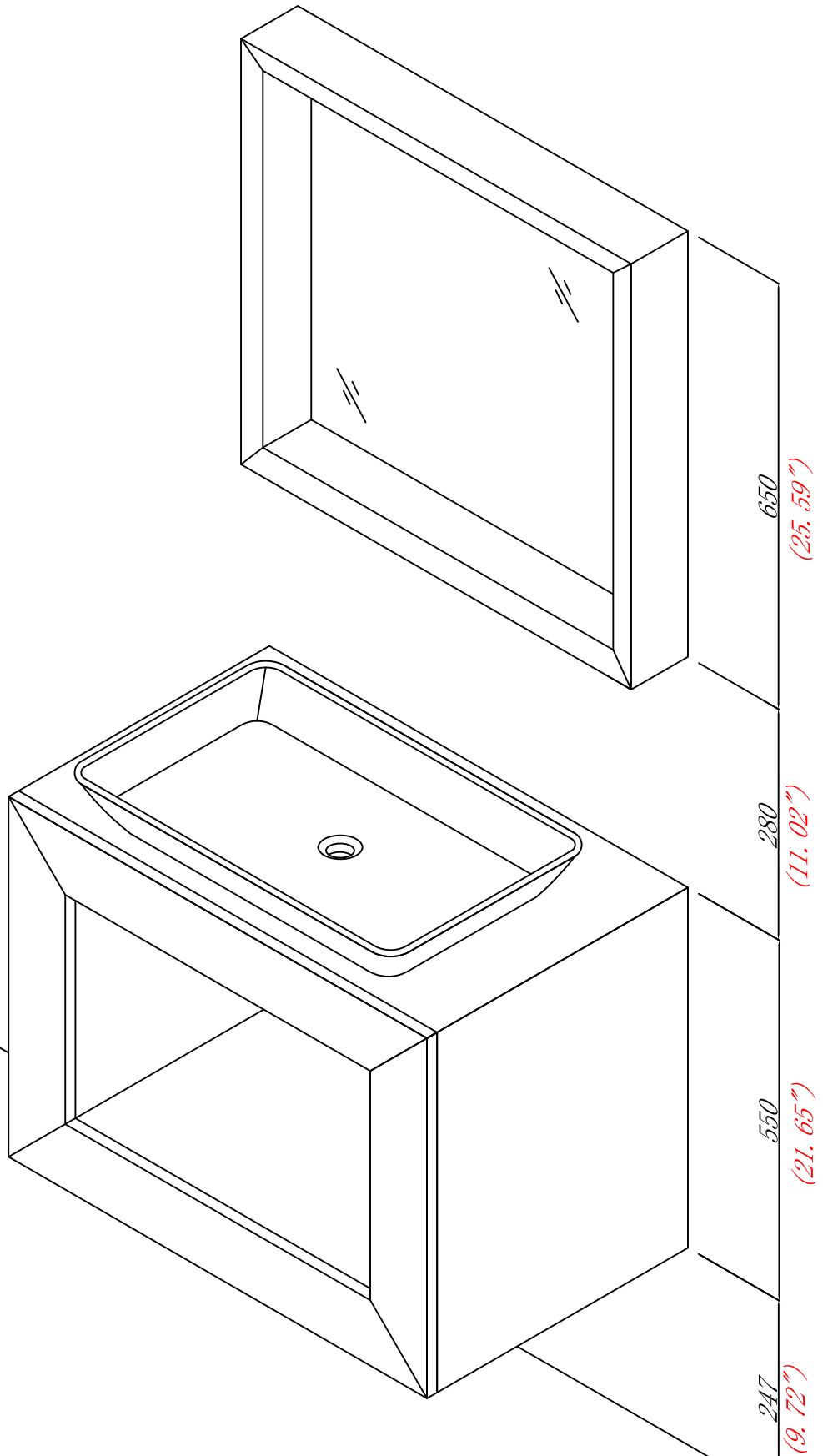
Step 4



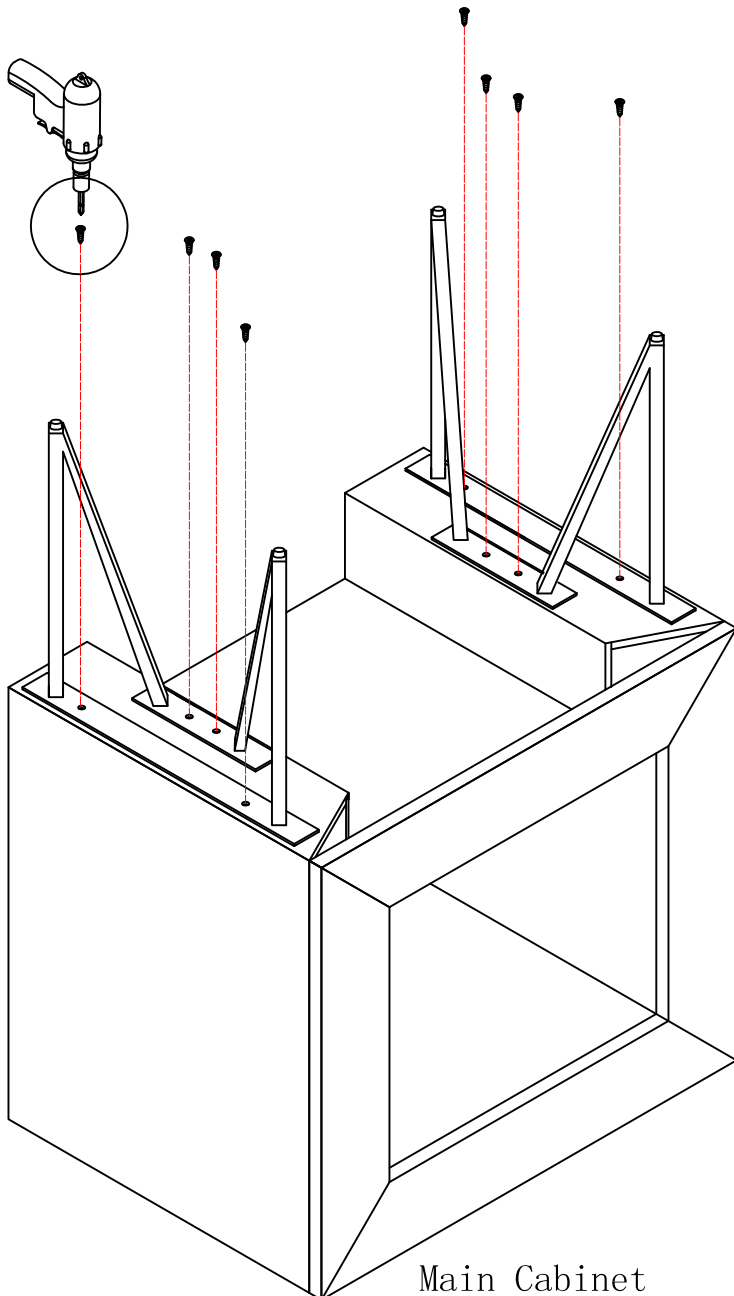
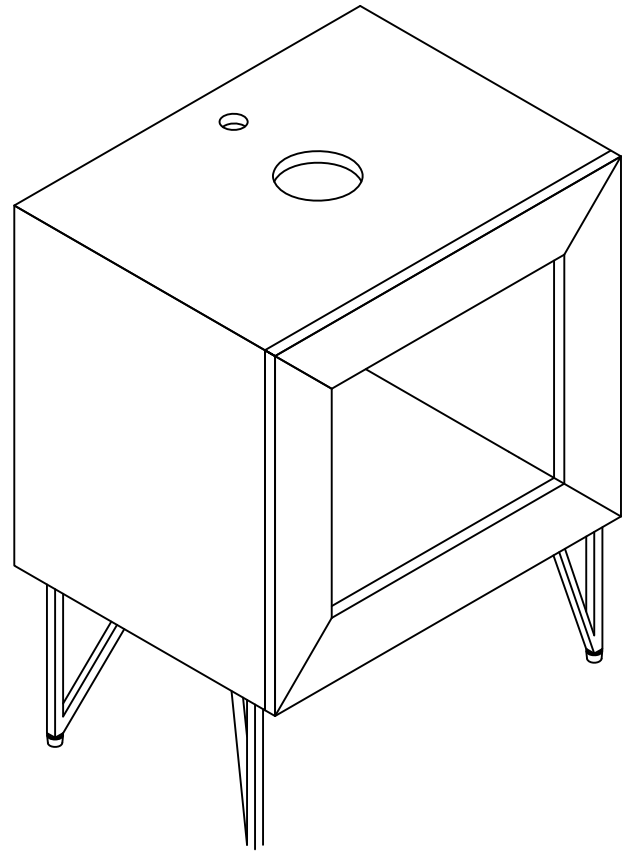
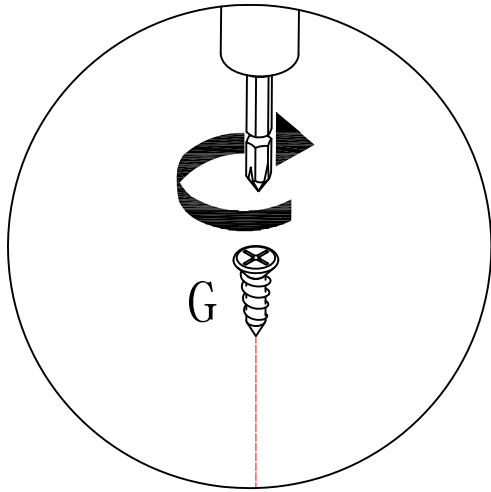
Step 5



Finished



# Black Metal Legs Installation Instruction



Main Cabinet